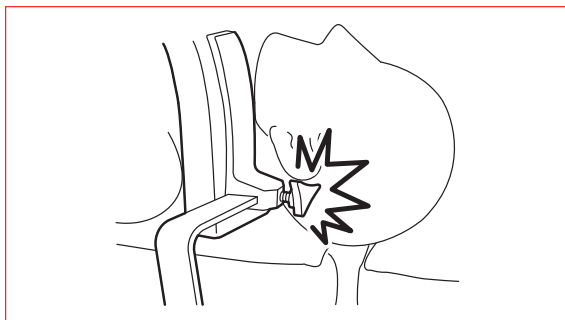


Instruction for Use

Trade Name: Shoulder Support

Warning

1. When using operating table accessories, always pay close attention to the patient. Patients left in the same posture for an extended period of time are at risk for developing bedsores.
2. When tilting an operating table laterally with a patient in the Trendelenburg position (laid flat on the back with the feet higher than the head), always pay close attention to the state of the patient. Otherwise, the patient's head could tilt and the back of the head could be pressed by the slide bar and the pad clamping handle.

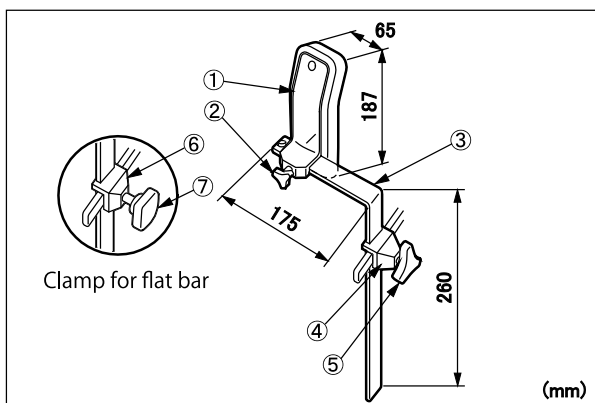


Contraindication/Prohibition

1. This product is only validated for use with Mizuho operating tables.
2. Ensure all clamp handles are tight. Failure to do so may result in a patient injury.

Shape/ Structure

1. External view



The clamp shown above is the clamp for flat bar Ver. 2.

Code No.	Product Description	Composition
08-068-03	Shoulder Support with Clamps	①②③⑥⑦*1
08-068-04	Shoulder Support	①②③
08-068-05	Shoulder Support with Clamps Ver. 2	①②③④⑤*2
08-111-00	Clamp for Flat Bar	⑥⑦*3
08-117-02	Clamp for Flat Bar (R1)	④⑤*4
08-117-12	Clamp for Flat Bar (R2)	⑥⑦*5
08-111-11	Clamp for Flat Bar Ver.2	④⑤*3
08-117-10	Clamp for Flat Bar Ver.2 (R1)	⑥⑦*4
08-117-13	Clamp for Flat Bar Ver.2 (R2)	④⑤*5
3-040-01	Shoulder support	①②③
6-030-01	Bar Clamp (STD)	⑥⑦*5
6-030-01-EU	Bar Clamp (STD)	⑥⑦*4

Reference numbers are corresponding to that indicated in 1. External view.

*1: Accompanied by 08-111-00

*2: Accompanied by 08-111-11

*3: *4, *5: Compatible to different side rails

2. Operating range

Slide Range: Max 105mm

3. Weights per piece

Main body

Shoulder support 1.1kg

Clamp

Clamp for flat bar: 0.2kg

Clamp for flat bar Ver.2: 0.4kg

Bar Clamp (STD): 0.2kg

4. Material

Main body

① Pad: Urethane

② Clamping handle: Plastic

③ Slide bar: Stainless steel rod

Clamp

④Clamp for flat bar Ver.2: Stainless steel casting

⑤Clamping handle Ver.2: Stainless steel, Aluminum alloy

④Clamp for flat bar: Stainless steel casting

⑤ Clamping handle: Plastic molding, Stainless steel

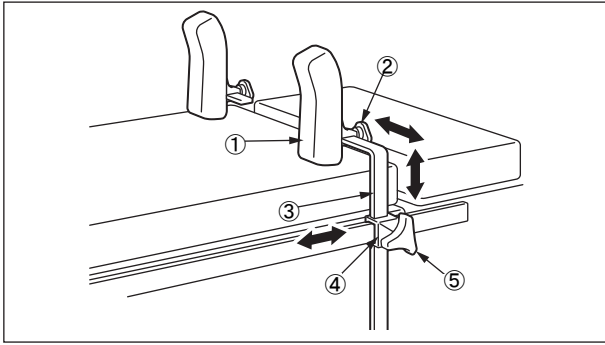
Reference numbers are corresponding to that indicated in 1. External view.

Intended purpose

This is an accessory to an operating table.

This tool is used for supporting the shoulders of a patient to keep his/her position on an operating table when it is tilted so that the feet are higher than the head

Instructions for use



The clamp shown above is the clamp for flat bar Ver. 2.

- ① Pad
- ② Pad clamping handle
- ③ Slide bar
- ④ Clamp for flat bar
- ⑤ Clamping handle

1. Attach the clamp for flat bar ④ to the side rail of an operating table.
2. Insert the slide bar ③ into the clamp for flat bar ④ and tighten the clamping handle ⑤ to secure the slide bar.
3. Move the slide bar ③ to a position appropriate for the patient's posture.
4. After the adjustment, rotate the clamping handle ⑤ to secure the clamp for flat bar ④ and the slide bar ③.
5. Loosen the pad clamping handle ② to adjust the position of the pad ①.
6. After the adjustment, tighten the pad clamping handle ② to secure the pad ①.

Caution

1. Warning
Ensure all fastener component are tied up. Failure to do so may result in a patient injury.
2. Important caution
When working with an operating table, take care not to allow this product to make contact or interfere with the table top or with other tools and appliances used in combination with this product.
3. Defect/Adverse event
(Adverse event)
 - Bedsore

Storage and Shelf Life

1. Do not store the device in high temperatures or in areas with high humidity where the temperature has drastic variations.
2. Service life of this product: 7 years
(subject to the specified maintenance and inspection and is stored properly)

Maintenance/Inspection

1. Check that this product is not damaged or broken before and after use.
2. Cleaning and disinfection
Wipe off blood, chemicals, contaminants, and other stains with water, and clean the device with gauze or other material moistened with alcohol to disinfect.
3. In case of a malfunction
If you need to have this product repaired, clearly label the device as "Broken", "Need repair" etc. and contact your local dealer or Mizuho.

<By suppliers>

Maintenance and inspection can only be carried out certified suppliers of Mizuho.

Packing

2 pieces per pack

Matters related to warranty period

MIZUHO Corporation will repair defective parts of this product without charge for one year from the date of delivery/installment except for cases of damage caused by a third party's repair, act of nature, improper use or damage on purpose. All other warranty terms and conditions are subject to regulations of MIZUHO Corporation.

* Name and address of manufacturer



MIZUHO Corporation
3-30-13 Hongo, Bunkyo-ku, Tokyo 113-0033, Japan
<http://www.mizuho.co.jp>

* Authorized Representative Europe



Emergo Europe B.V.
Prinsessegracht 20, 2514 AP, The Hague
The Netherlands